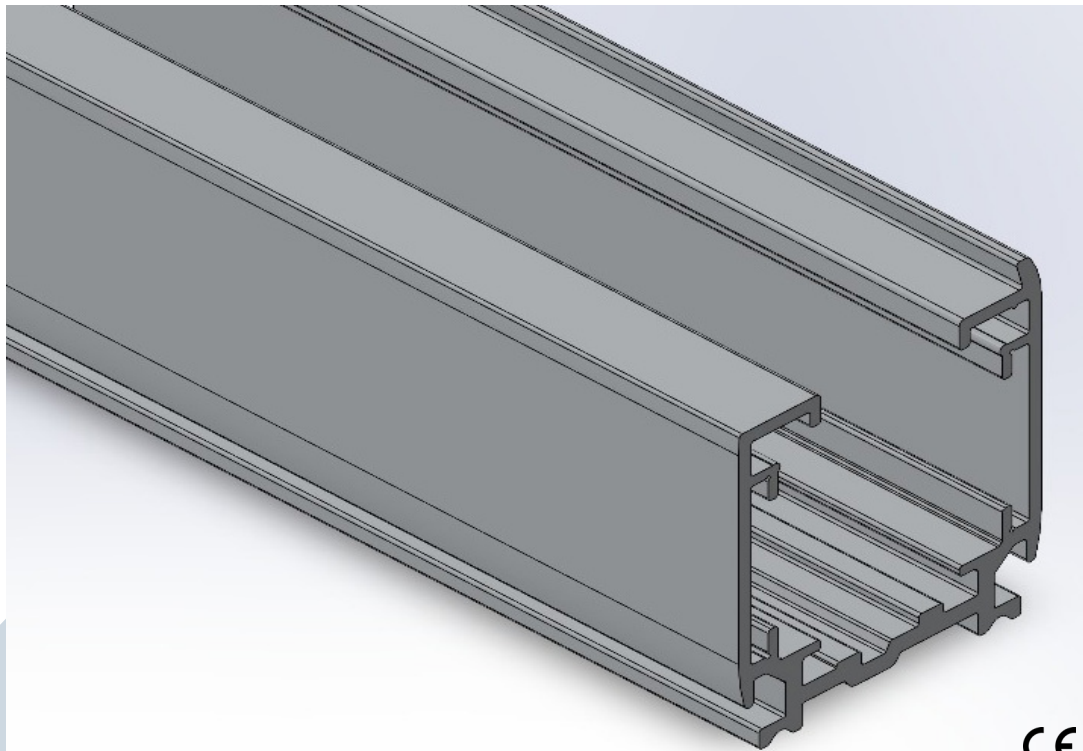


Three Phase Dali Track

Product Category : FDRA



CE

PRODUCT DETAILS

BODY	Aluminum extrusion
PAINT	Electrostatic powder paint
CONDUCTOR	Phase: 2,2mm / Dali: 1,6mm
ISOLATION	Pvc extrusion
DIMENSIONS (w*h*l)	32*36*3000mm
WEIGHT	2770g
CONDUCTOR DISTANCE x	8 mm
CONDUCTOR DISTANCE y	21,1 mm
GROUNDING	Yes - Line
PACKAGE QUANTITY	8/pack

